



Rotron Premairprop Propeller Fan

General Propeller Information

Propeller Fans have sheet metal blades, usually four or more in number, which are curved to provide an aerodynamic lift and are generally arranged without blade overlap (PREMAIRPROP™ blades overlap). These fans operate best at free delivery or at very low static pressures.

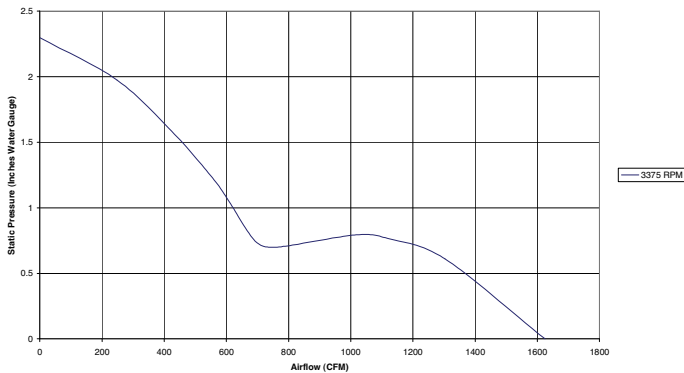
Propeller Fans are suitable for conditions which require movement of a large volume of air against low resistance to flow. These fans are recommended for

flushing cooling air through small enclosures such as radio cabinets, instrument panels, and communications equipment shelters.

They come in a variety of voltages and frequencies and are available with lead wires only. Most units are available with an optional internal Fan Performance Sensor (FPS) or external Low Speed Warning Device (LSWD).

Rotron Premairprop (10" propeller)

JF Maximum Performance Curve



*Exact Performance Curve Characteristics Available Upon Request

General

- Physical envelope: 14.5" Dia. x 6.10" L¹
- Weight: approximately 17.5 lbs.
- Specially designed for cooling electronics in radio cabinets, instrument panels, radar systems and shipboard applications
- JFG – high shock resistance, cast venturi, reinforced mounting brackets and propeller
- JFV – vibration isolator mounts

¹ Note: See specific part-number drawing for complete product dimensions

Materials and Finishes

- Propellers are fabricated aluminum with a painted or anodized finish
- Venturi rings available in cast aluminum with a painted or anodized finish
- Mounting brackets made of zinc plated steel
- Stainless steel shaft motors and aluminum frames which are finished in black enamel
- "Lubricated-for-Life" ball bearings

Options/Accessories

- Screen Guard
- Rear Finger Guard
- LSWD (Low Speed Warning Device)
- FPS (Fan Performance Sensor)



AC Line Powered Units²

- 3-phase motor design
- Fixed speeds (performance) based on input frequency
- Max free delivery airflow of 1755 CFM at 60 Hz
- Ambient temperature range: -54°C to 85°C

² Airflow, maximum ambient and acoustic levels will vary depending on design parameters

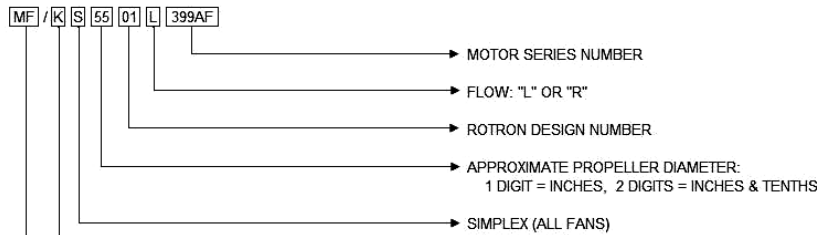
Optional AC-AC Converters for AC Powered Models

DELTA[®] Converter Driven Units

- DELTAC[®] converters allow high frequency (typically 400 Hz) fans to be driven by variable frequency (typically 360-800 Hz) power or low frequency 50/60 Hz power to obtain the higher frequency performance

Unit Description Key

The unit description key is for reference only and should not be confused with an order form. While most units are custom configurations, not all variations of the key shown below are possible. Please contact the Application Engineering department for more information regarding possible custom configurations.



FAN MODEL:

- MF = 5.5" FAN
- MFV = 5.5" FAN WITH VIBRATION ISOLATOR
- NF = 6.5" FAN
- NFV = 6.5" FAN WITH VIBRATION ISOLATOR
- NFG = 6.5" FAN (CAST VENTURI, REINFORCED SPIDER)
- HF = 8" FAN
- HFV = 8" FAN WITH VIBRATION ISOLATOR
- HFG = 8" FAN (CAST VENTURI, REINFORCED SPIDER)
- JFG = 10" FAN
- JFV = 10" FAN WITH VIBRATION ISOLATOR

●	No. Poles	No. Phases	Approx. Speed - No Load (Ref.)		
			50 Hz	60 Hz	400 Hz
A	2	3	2900	3500	-
B	4	3	1450	1750	-
E	6	1 or 3	950	1150	-
F	8	1 or 3	700	850	-
K	2	1	2900	3500	-
L	4	1	1450	1750	-
M	6	1 or 3	-	-	7500
N	8	1 or 3	-	-	5500
P	12	1 or 3	-	-	3900
Q	4	1 or 3	-	-	11000
R	2	1 or 3	-	-	23000

Note: Dual frequency or dual pole motors designated by using 2 digits. Ex: "KM" = 2 pole 10 50/60 Hz, 6 pole 10 400 Hz

Ordering Information

When ordering, please specify the specific Rotron part number listed on the following model table. Further ordering information, based on the configuration and motor series, may be obtained by contacting customer service. Please refer to the Unit Description Key explanation above.

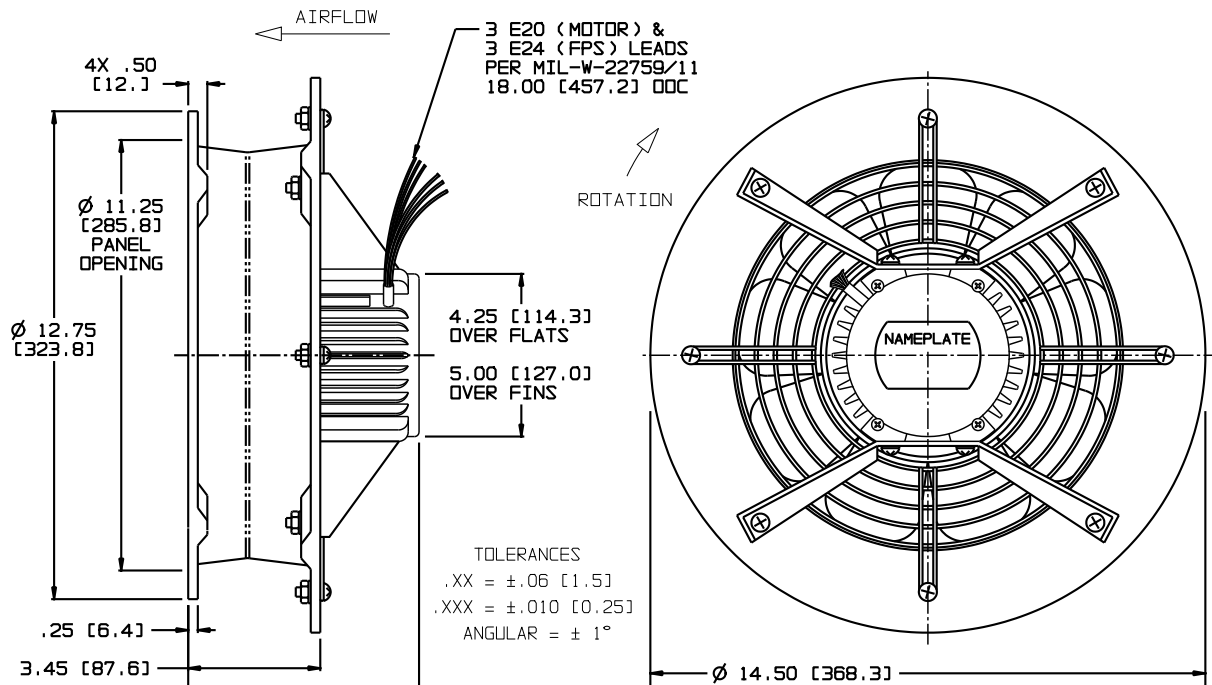


Rotron / Airscrew



PROPELLER FANS

PREMAIRPROP MODEL



Standard Product Offering of AC Line Powered Models

Part #	Unit Desc.	Flow (CFM)	Max Pressure (IWG)	Nom. RPM	Nom Watts	Line Amps (A)	Max Amb. (C)	Volts	Phase	Hz	Airflow Source Data	Features
034915000	JFG/AS-1000L HA2L,881XF	1755	1.92	3,290	460.46	1.5	85	230	3	60	A265-32B	36" leads with terminal lugs
034888000	JFG/AS-1001R HA2L 881XF	1600	2.30	3,340	502.32	1.40	80	230	3	60	A340-29	30" leads with terminal lugs
033671000	JFG/AS-1000L HA2L,881WF	1755	1.90	3,290	460.46	1.50	85	230	3	60	A265-32B	18" leads